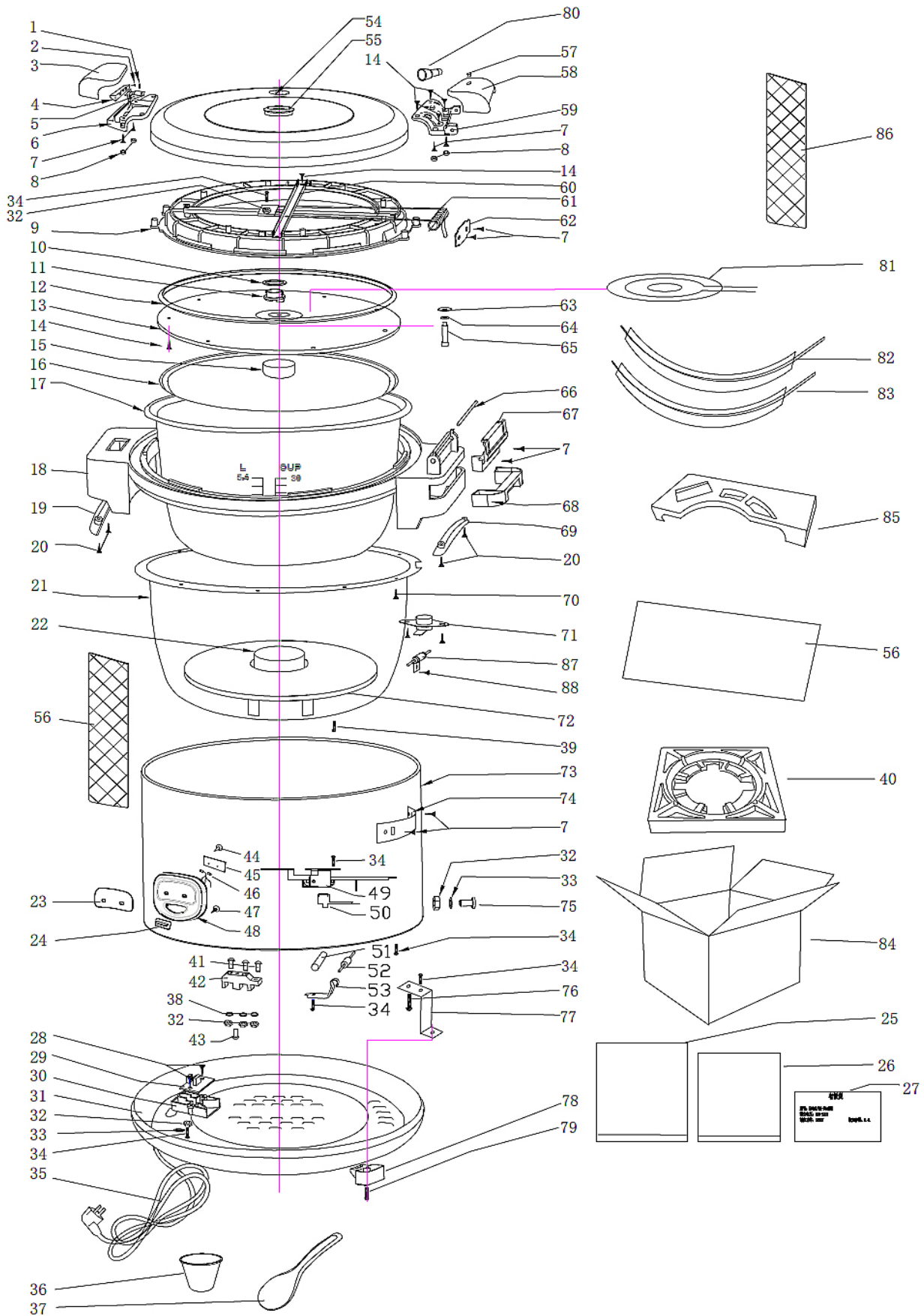


HJF-8195(90103) Diagram STAINLESS STEEL RICE COOKER



HJF-8195(90103) Spare Parts Prices List

STAINLESS STEEL RICE COOKER

MESSER : Merx Team

VALIDITY : 30 DAYS

DELIVERY TERM : EX-WORK

DATE : 2022/02/11

Prepared by : Anlson

Part No. of Diagram	KARMA NO.	Description	Quantity (PCS)	Unit Price (USD/ 1 PC)
1-6	Z-HJF8A-001Z	FRONT HANDLE ASSEMBLY	1	1.30
1-6+57-59	Z-HJF8A-001ZA	OPEN THE COMBINATION ASSEMBLY	1	2.52
1	Z-HJF8A-001	MESON SCREW	1	-
2	Z-HJF8A-002	PAN HEAD TAPPING SCREWS	1	-
3	Z-HJF8A-003	HANDLE ASSEMBLY	1	0.50
4	Z-HJF8A-004	BUTTON FOR COVER OPENNING	1	0.10
5	Z-HJF8A-005	SPRING BUCKLE	1	0.20
6	Z-HJF8A-006	HANDLE ASSEMBLY	1	0.50
7	Z-HJF8A-007	SCREW	12	-
8	Z-HJF8A-008	SCREW DECORATION PARTICLES	1	-
9	Z-HJF8A-009	PLASTIC BRACKET	1	2.40
10	Z-HJF8A-010	STEAM HOLE SEALING RING	1	0.04
11	Z-HJF8A-011	EXHAUST VALVE	1	0.06
12	Z-HJF8A-012	COVER SEALING RING	1	1.60
13	Z-HJF8A-013	ALUMINUM COVER	1	2.00
14	Z-HJF8A-014	SCREW	16	-
15	Z-HJF8A-015	SILICA GEL CUP	1	0.30
16	Z-HJF8A-016	FLOAT ALUMINUM COVER	1	2.40
17	Z-HJF8A-017A	INNER POT (HJF-8195)	1	18.00
18	Z-HJF8A-018	PLASTIC MIDDLE RING	1	5.00
19	Z-HJF8A-019	FRONT HANDLE PAD	1	0.16
20	Z-HJF8A-020	SCREW	4	-
21	Z-HJF8A-021A	IRON INNER COATING (HJF-8195)	1	4.00
22	Z-HJF8A-022	THERMO LIMITOR	1	0.80
23-24+34+44-50	Z-HJF8A-023Z	CONTROL UNIT	1	3.90
23	Z-HJF8A-023	PANEL STICKER	1	0.16
24	Z-HJF8A-024	PLASTIC SWITCH BUTTON	1	0.10
25	Z-HJF8A-025	POLY BAG 120*600MM	1	0.03
26	Z-HJF8A-026	POLY BAG 50*500MM	1	0.02
27	Z-HJF8A-027	SPECIFICATION LABEL	1	0.02
28-30	Z-HJF8A-028Z	POWER CORD PRESSURE BOX ASSEMBLY	1	0.60
28	Z-HJF8A-028	SCREW	2	-
29	Z-HJF8A-029	POWER LINE ASSEMBLY	1	0.20
30	Z-HJF8A-030		1	0.40
31	Z-HJF8A-031	BOTTOM COVER	1	2.40
32	Z-HJF8A-032	BOTTOM COVER	5	-
33	Z-HJF8A-033	CHRYSANTHEMUM MESON	2	-

HJF-8195(90103) Spare Parts Prices List

STAINLESS STEEL RICE COOKER

MESSER : Merx Team

VALIDITY : 30 DAYS

DELIVERY TERM : EX-WORK

DATE : 2022/02/11

Prepared by : Anlson

Part No. of Diagram	KARMA NO.	Description	Quantity (PCS)	Unit Price (USD/ 1 PC)
34+49~50	Z-HJF8A-034Z	SWITCH ASSEMBLY	1	1.40
34	Z-HJF8A-034	SCREW	9	-
35	Z-HJF8A-035	POWER CORD	1	3.60
36	Z-HJF8A-036	MEASURING CUP	1	0.60
37	Z-HJF8A-037	RICE SPOON	2	0.60
38	Z-HJF8A-038	SPRING MESON	3	-
39	Z-HJF8A-039	SCREW	7	-
40	Z-HJF8A-040	BOTTOM FOAM	1	0.60
41	Z-HJF8A-041	SCREW	3	-
42	Z-HJF8A-042	BRICK OF POTTERY AND PORCELAIN	1	0.80
43	Z-HJF8A-043	SCREW	1	-
44	Z-HJF8A-044	SCREW	2	-
45~46	Z-HJF8A-045Z	LAMP ASSEMBLY	1	1.14
45	Z-HJF8A-045	LAMP ASSEMBLY	1	-
46	Z-HJF8A-046		1	-
47	Z-HJF8A-047	SCREW	4	-
48	Z-HJF8A-048	PLASTIC CONTROL PANEL	1	1.10
49~50	Z-HJF8A-049Z	LEVER ASSEMBLY	1	1.40
49	Z-HJF8A-049	LEVER ASSEMBLY	1	-
50	Z-HJF8A-050		1	-
51~53	Z-HJF8A-051Z	FUSE ASSEMBLY	1	1.00
51	Z-HJF8A-051	FUSE ASSEMBLY	1	-
52	Z-HJF8A-052		1	-
53	Z-HJF8A-053		1	-
54	Z-HJF8A-054	STAINLESS STEEL COVER	1	4.60
55	Z-HJF8A-055	RUBBER RING	2	0.06
56	Z-HJF8A-056	EDGE FOAM	4	2.40
57~59	Z-HJF8A-057Z	REAR LID HANDLE ASSEMBLY	1	1.22
57	Z-HJF8A-057	REAR LID HANDLE ASSEMBLY	1	-
58	Z-HJF8A-058		1	-
59	Z-HJF8A-059		1	-
60~62	Z-HJF8A-060Z	UPPER COVER BRACKET HOLDING ASSEMBLY	1	1.60
60	Z-HJF8A-060	UPPER COVER BRACKET HOLDING	2	-
61	Z-HJF8A-061	SPRING COIL	1	-
62	Z-HJF8A-062	SPRING PRESSING PLATE	1	-
63	Z-HJF8A-063	ALUMINIUM FLAT MESON	1	-
64	Z-HJF8A-064	STEEL FLAT MESON	1	-

HJF-8195(90103) Spare Parts Prices List

STAINLESS STEEL RICE COOKER

MESSER : Merx Team

VALIDITY : 30 DAYS

DELIVERY TERM : EX-WORK

DATE : 2022/02/11

Prepared by : Anlson

Part No. of Diagram	KARMA NO.	Description	Quantity (PCS)	Unit Price (USD/ 1 PC)
65	Z-HJF8A-065	RIVET	1	-
66	Z-HJF8A-066	PIN FOR MIDDLE RING	1	-
67	Z-HJF8A-067	SPRING COVER	1	-
68	Z-HJF8A-068	WATER COLLECTOR	1	0.70
69	Z-HJF8A-069	HANDLE PAD	1	-
70	Z-HJF8A-070	SCREW	6	-
71	Z-HJF8A-071	SNAP ACTION THERMOSTAT	1	1.00
72	Z-HJF8A-072A	HEATING ELEMENT (HJF-8195)	1	17.00
73-74	Z-HJF8A-073ZA	HOUSING ASSEMBLY (HJF-8195)	1	5.40
73	Z-HJF8A-073	HOUSING ASSEMBLY (HJF-8195)	1	-
74	Z-HJF8A-074		2	-
75	Z-HJF8A-075	SCREW	3	-
76-77	Z-HJF8A-076Z	PAN FOOT BRACKET ASSEMBLY	1	0.10
76	Z-HJF8A-076	PAN FOOT BRACKET ASSEMBLY	4	-
77	Z-HJF8A-077		4	-
78	Z-HJF8A-078	LEG	5	0.50
79	Z-HJF8A-079	SCREW	5	-
80	Z-HJF8A-080	INSULATION PART	4	-
81-83	Z-HJF8A-081Z	KEEP WARM FUSE ASSEMBLY	1	4.20
81	Z-HJF8A-081	KEEP WARM FUSE-LID 15W	1	1.00
82	Z-HJF8A-082	KEEP WARM FUSE-MIDDLE 30W	1	1.60
83	Z-HJF8A-083	KEEP WARM FUSE-MIDDLE 60W	1	1.60
84	Z-HJF8A-084	CARTON BOX	1	2.60
85	Z-HJF8A-085	FOAM	2	2.00
86	Z-HJF8A-086	EDGE FOAM	1	1.20
87	Z-HJF8A-087	TRS	1	1.00
88	Z-HJF8A-088	SCREW	3	-
-	Z-HJF8A-A01	STEAMER	1	3.00
-	Z-HJF8A-A02	SILICONE INSERTION	1	2.40